

Portable "C" - HDSL Powering Test Unit Kit

PHTUC-KIT01

The Kit Includes: (1) # PHTUC-01
Portable "C" -
HDSL Powering Test Unit
w/ AC Power Cord

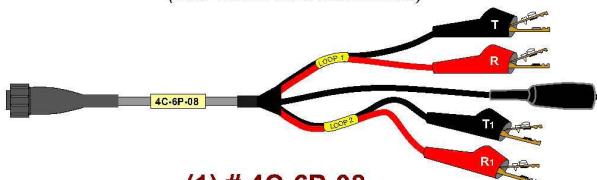
FTR UPN # PHTUC-KIT01
Portable "C" -
HDSL Powering Test Unit Kit



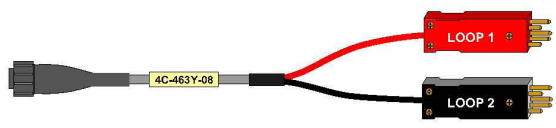
1 Slot (2 & 4 Wire)
(3192 Mech. Card not included)



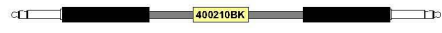
(1) # 600510
Carrying Case



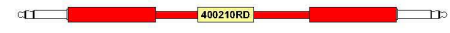
(1) # 4C-6P-08
Male Lock Plug to (4) 6P Alligator Clips w/ GND, (8')



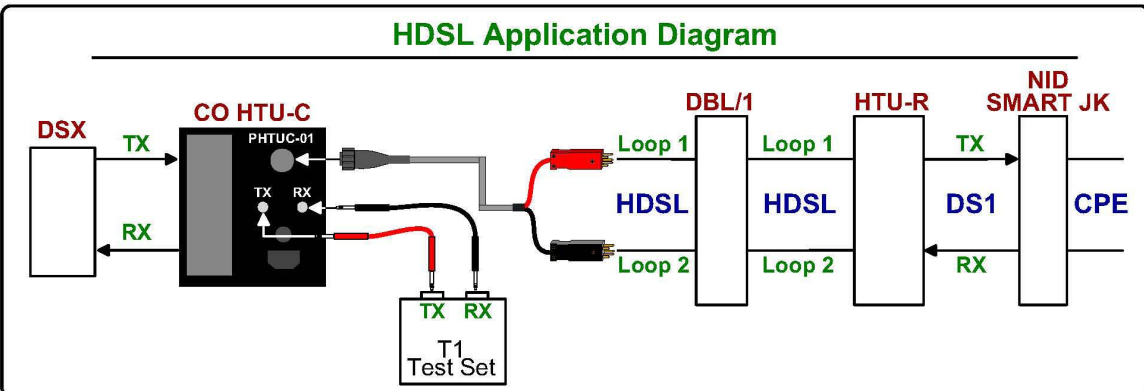
(1) # 4C-463Y-08
Male Lock Plug to 5 Pin "Y" Protector, (8')



(1) # 400210BK
Bantam to Bantam Test Set Cord - Black, (6')



(1) # 400210RD
Bantam to Bantam Test Set Cord - Red, (6')



Ordering Information:

Portable "C" - HDSL Powering Test Unit Kit
includes: (1) PHTUC-01, (1) 4C-6P-08, (1) 4C-463Y-08, (1) 400210RD, (1) 400210BK & (1) 600510
Male Lock Plug to 5 Pin "Y" Protector, (8')
Male Lock Plug to (4) 6P Alligator Clips w/ GND, (8')

KIT FTR UPN #
PHTUC-KIT01
4C-463Y-08
4C-6P-08

150 Cooper Rd. (F-15)
W. Berlin, NJ 08091

www.tagcords.com
Telecom Assistance Group

Telephone: (856) 753-8585
Fax : (856) 768-7645