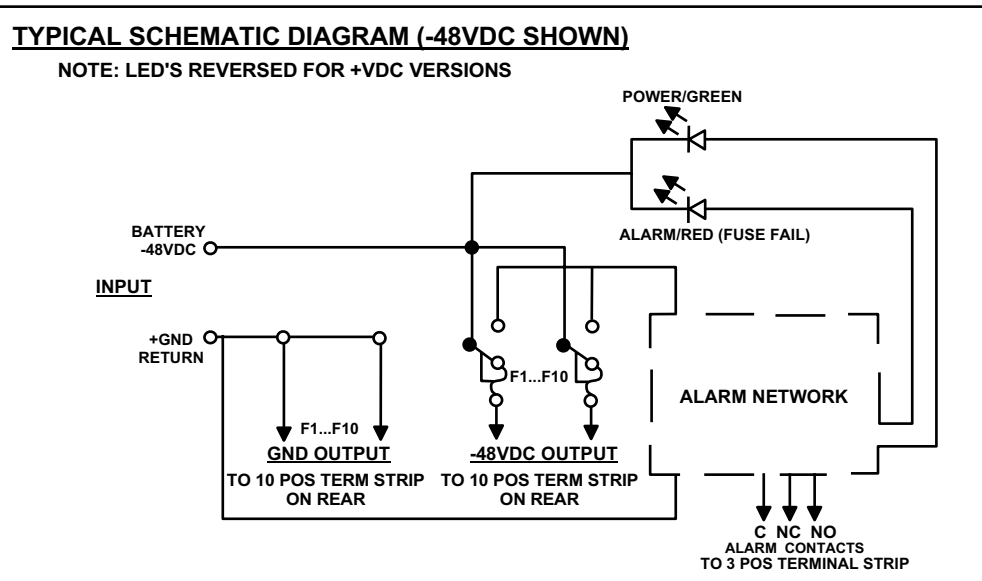


## FRONT VIEW



## BACK VIEW



### Application:

TAG's SH-FP1023 10 Position Fuse Panel offers a cost effective design for those needing fused protection from .18 to 15 amps per position (60 amps max per bus). Power and alarm status are displayed locally with relay contacts for remote fuse fail alarm indication. This unit occupies only one rack space and mounts flush into a 19" or 23" relay rack.

### Ordering Information:

**SH-FP1023**

**10 Position Fuse Panel**

**Call for Pricing**

150 Cooper Rd. (F-15)  
 W. Berlin, NJ 08091

[www.tagcords.com](http://www.tagcords.com)

Telephone: (856) 753-8585  
 Fax : (856) 768-7645

**Telecom Assistance Group**