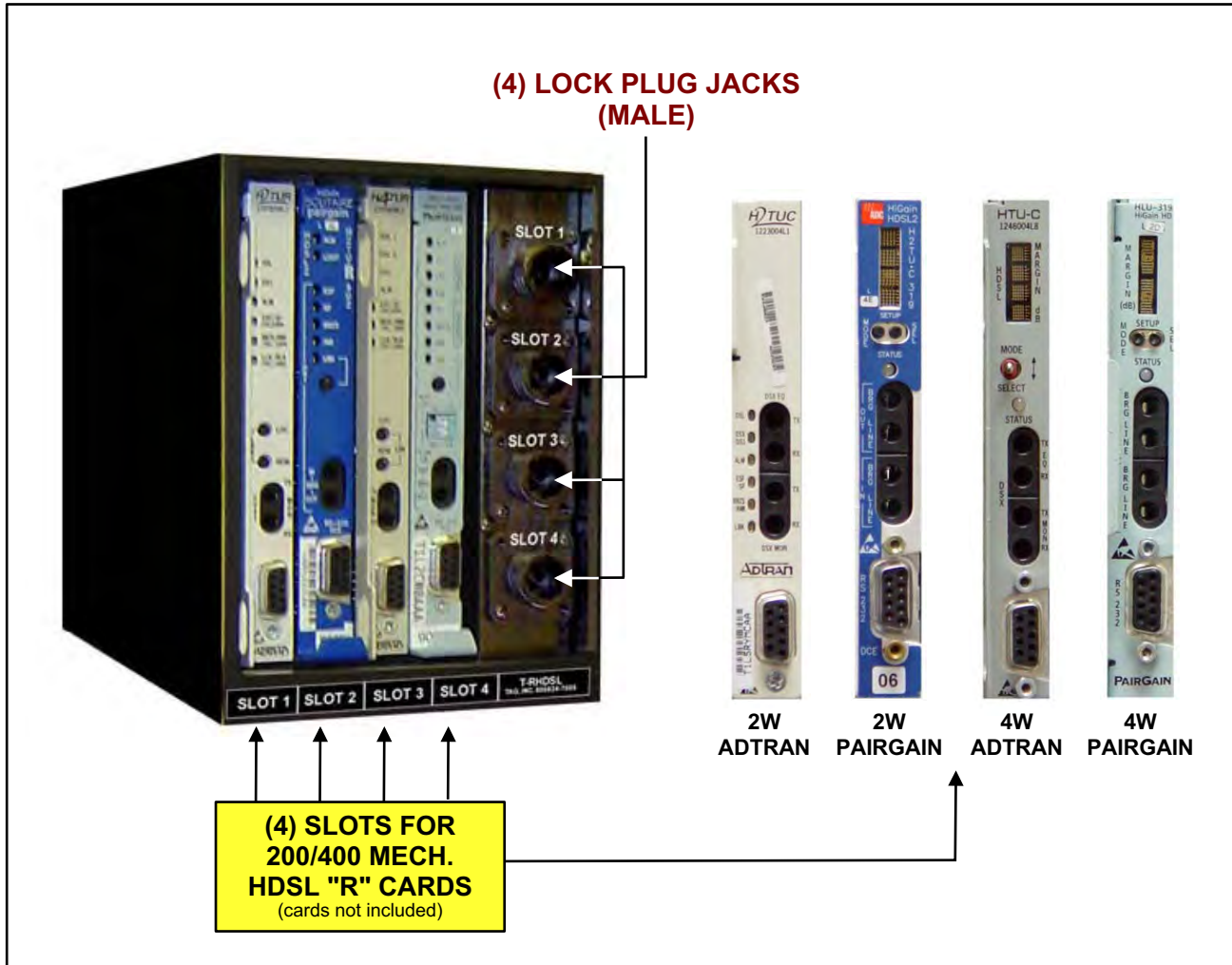




Portable "R" - HDSL Test Unit T-RHDSL Practice

► Physical Description and Connections



Application:

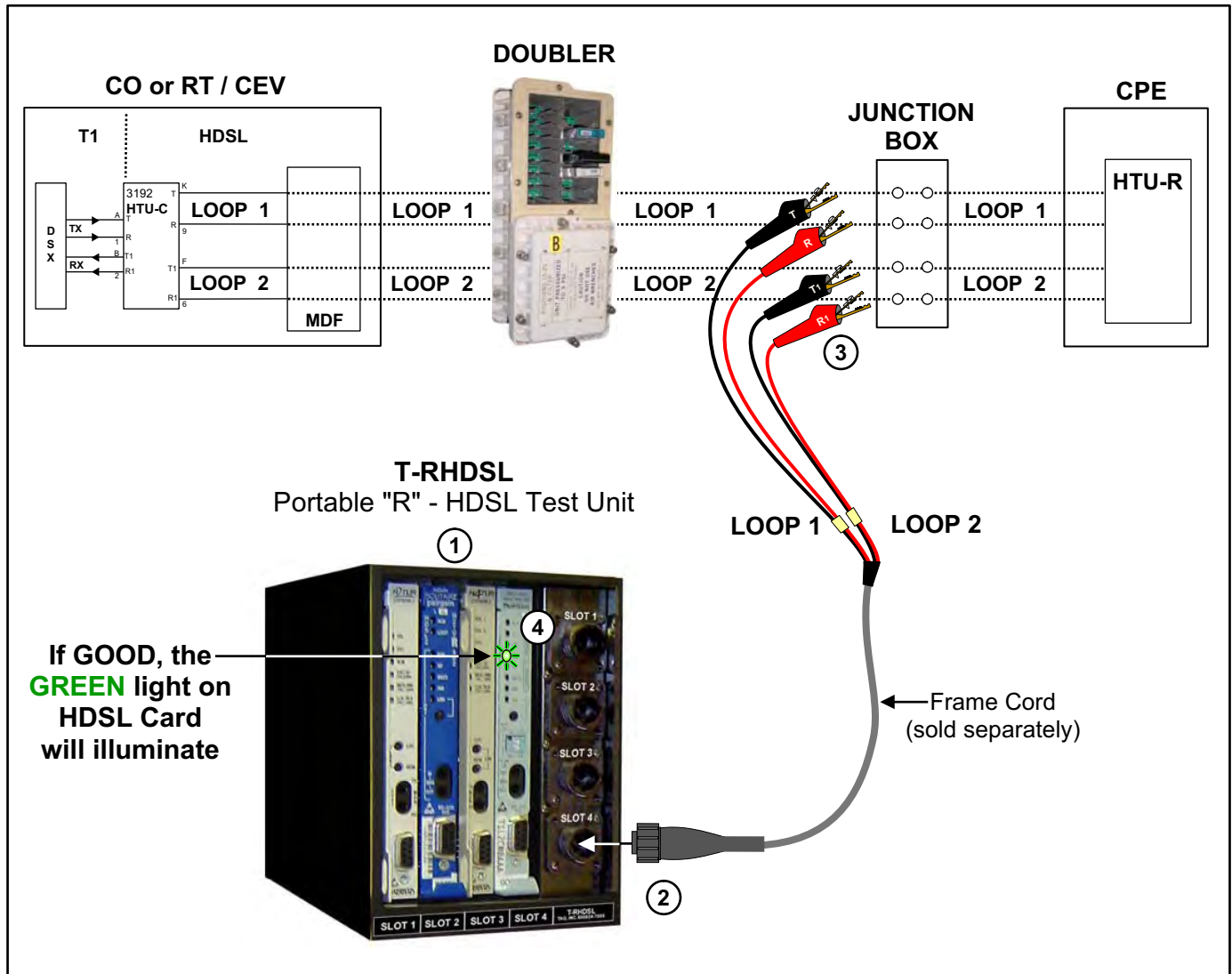
Telecom Assistance Group's (PN # T-RHDSL) Portable "R" HDSL Test Unit allows both Central Office and OSP Technicians to quickly verify T1 HiCap circuits. The T-RHDSL is lightweight and holds up to 4 different HDSL cards. Cords are available to connect at various interface points (CO Frame, Cross Box, CPE) for "good sync" verification.

Utilize the craft port on the HDSL card to further test span stats, margins and attenuation. The T-RHDSL is a powerful tool in installing and maintaining T1 HiCap circuits.



Portable "R" - HDSL Test Unit T-RHDSL Practice

► OSP Application

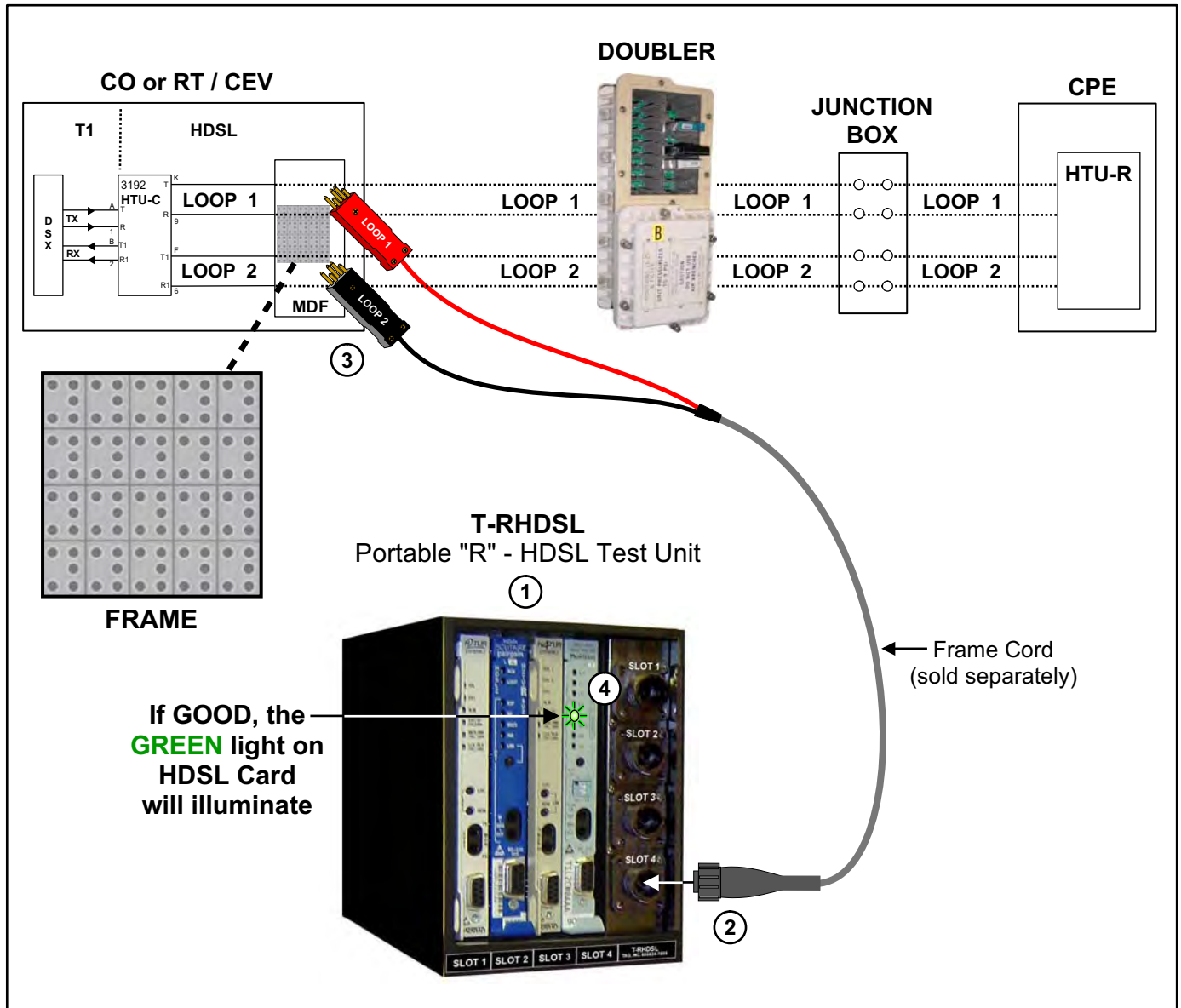


1. Plug 2W / 4W HDSL cards (customer supplied) into the T-RHDSL Portable "R" Test Unit. Make sure that the cards are firmly seated in the unit.
 2. Attach the locking plug end of the frame cord to the T-RHDSL.
 3. Attach the alligator clips on the frame cord to the circuit requiring test.
- Warning: High Voltage will appear on the alligator clips.**
4. If good, the green light on the HDSL card will illuminate.



Portable "R" - HDSL Test Unit T-RHDSL Practice

► CO Application



1. Plug 2W / 4W HDSL cards (customer supplied) into the T-RHDSL Portable "R" Test Unit. Make sure that the cards are firmly seated in the unit.
2. Attach the locking plug end of the frame cord to the T-RHDSL.
3. Insert the protectors on the frame cord to the circuit requiring test.

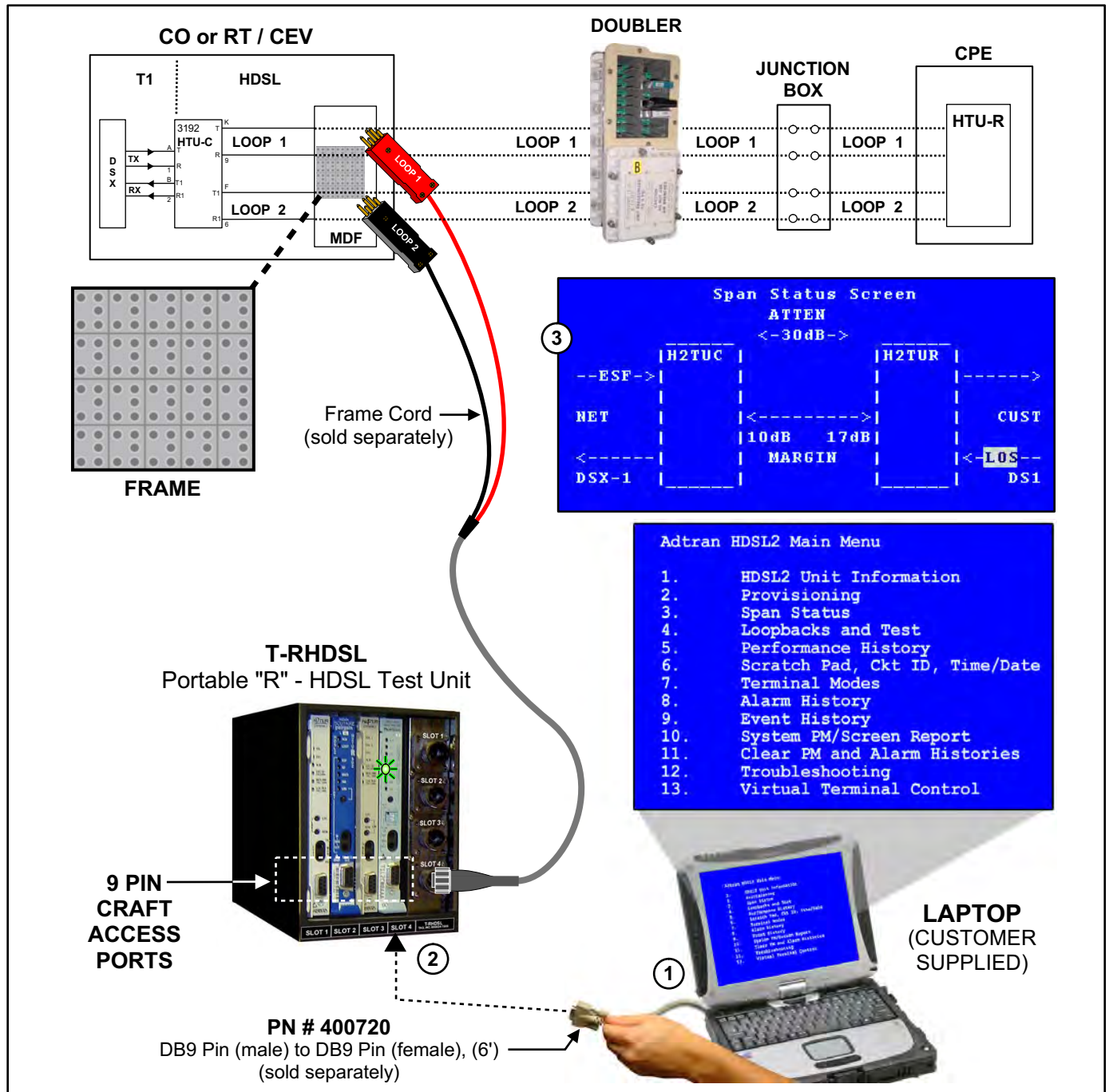
Warning: High Voltage will appear on the heat coil plugins.

4. If good, the green light on the HDSL card will illuminate.



Portable "R" - HDSL Test Unit T-RHDSL Practice

▶ HDSL Application



1. After establishing sync (see previous page), attach a DB9 Pin cable to the 9 Pin connector on a laptop.
2. Attach the DB9 Pin cable to the 9 Pin craft access port on the HDSL card.
3. Access the HDSL card's PM data.



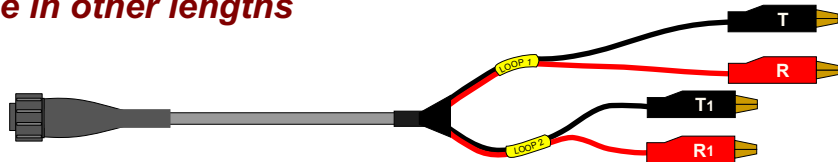
Portable "R" - HDSL Test Unit T-RHDSL Practice

► 4W Frame Cords (sold separately)

All Cords are available in other lengths

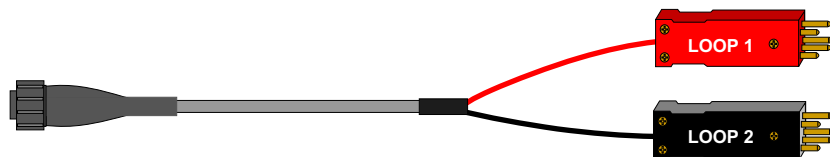
4W-A-08

Female Lock Plug to (4) Std Alligator Clips, (8')



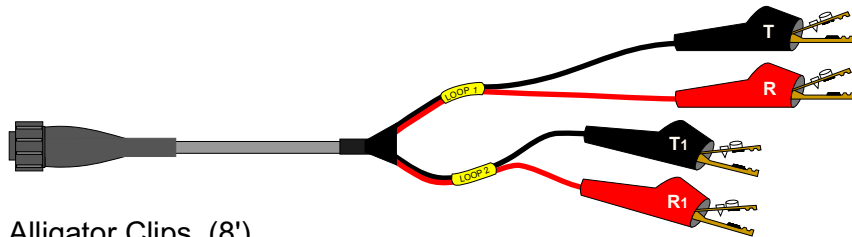
4W-463Y-08

Female Lock Plug to Protector "Y", (8')



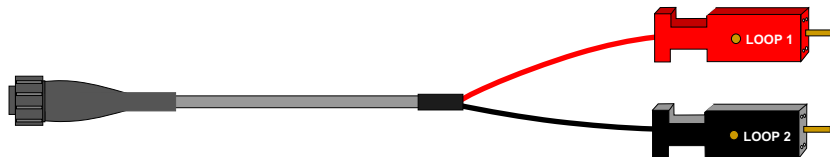
4W-6P-08

Female Lock Plug to (4) 6P Alligator Clips, (8')



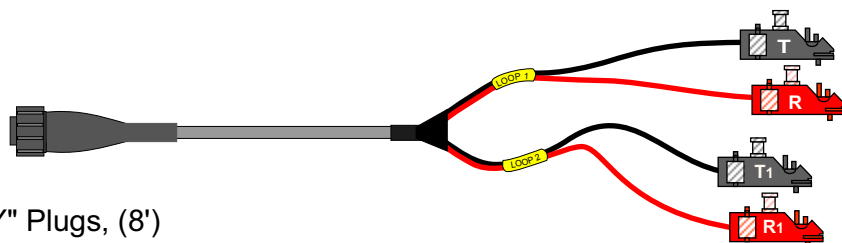
4W-PORTY-08

Female Lock Plug to Porta "Y", (8')



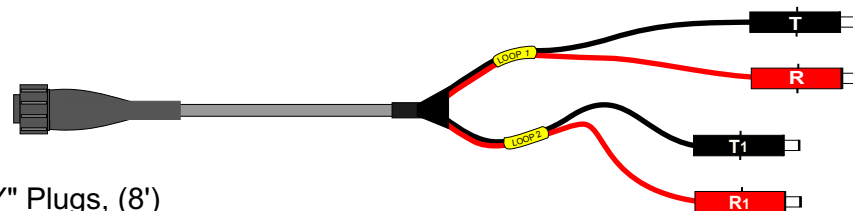
4W-252Y-08

Female Lock Plug to 252 "Y" Plugs, (8')



4W-412Y-08

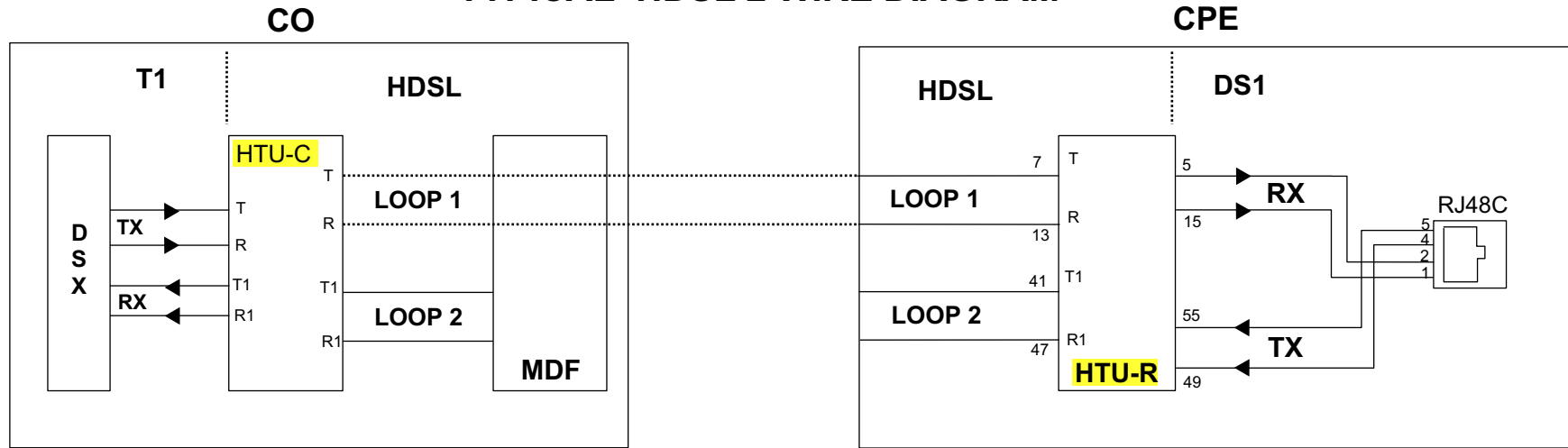
Female Lock Plug to 412 "Y" Plugs, (8')



Portable "R" - HDSL Test Unit T-RHDSL Practice

▶ HDSL Wiring Diagrams

TYPICAL HDSL 2 WIRE DIAGRAM



TYPICAL HDSL 4 WIRE DIAGRAM

