

# TT-SCAP Quick Guide

## QUICK GUIDE FOR DMS (SINGLE SESSION) SWITCH ACCESS TERMINALS PN # TT-SCAP-DMSKIT & TT-SCAP-DMSKIT2

### CONTENTS:

TERMINAL KIT CONFIGURATION FOR DMS SWITCH ACCESS .....	Page	1
TERMINAL COMMAND KEYS .....	Page	2
GENERAL SETTINGS NOTE .....	Page	3
TERMINAL SETUP .....	Page	4
CHANGING THE SERIAL PORT SETTINGS .....	Page	5
PROGRAMMING FUNCTION KEYS .....	Page	6
CHANGING THE SCREEN TITLE .....	Page	7
DMS DEFAULT SETUP .....	Page	8
NOTES & TIPS .....	Pgs.	9-14
DMS CURRENT LOOP INSTALLATION NOTES.....	Pgs.	10-14

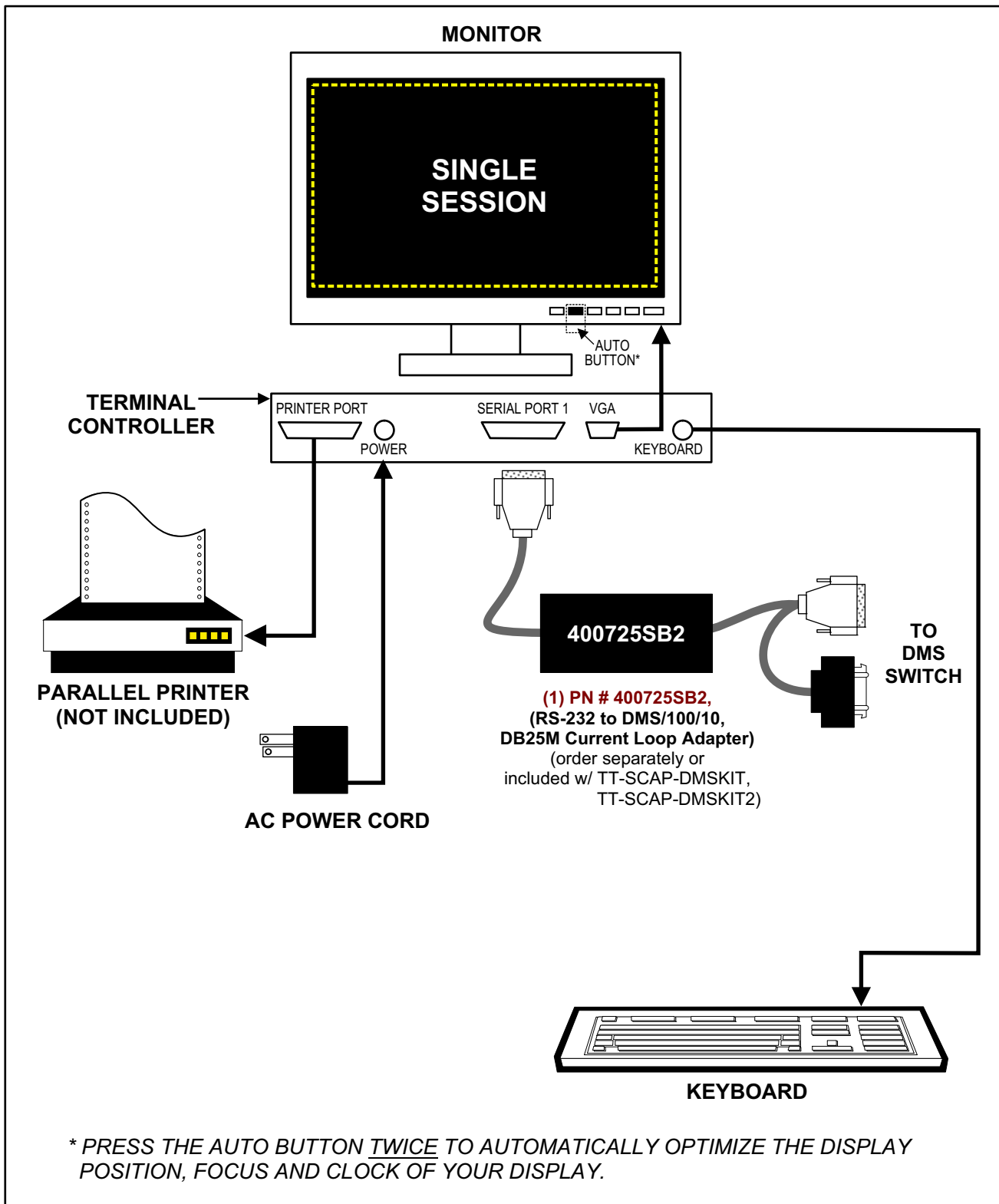


# TT-SCAP Quick Guide

## TERMINAL KIT CONFIGURATION FOR DMS SWITCH ACCESS

PN # TT-SCAP-DMSKIT & TT-SCAP-DMSKIT2

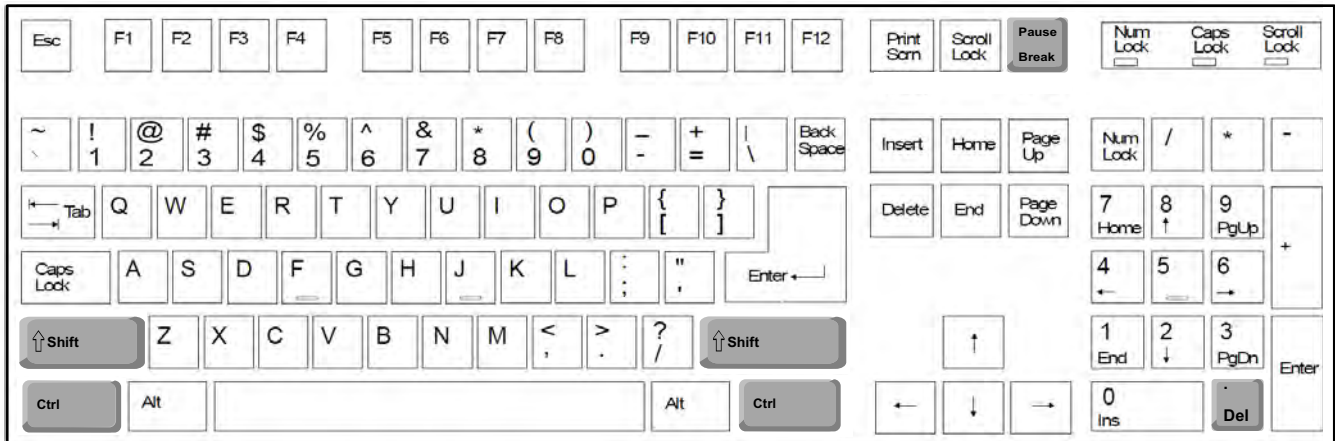
FIGURE 1



# TT-SCAP Quick Guide

## TERMINAL COMMAND KEYS

**FIGURE 2**



<b>PRINT</b>	<p>Press <b>Ctrl + Shift + ●</b> (Decimal on the Number Pad)</p> <div style="text-align: center; margin-top: 10px;"> </div>
<b>SEND BREAK</b>	<p>Press <b>Ctrl + Pause/Break Key</b></p> <div style="text-align: center; margin-top: 10px;"> </div>

## TT-SCAP Quick Guide

### GENERAL SETTINGS NOTE

Terminals are supplied pre-configured for your DMS switch. Some local settings may need to be adjusted. Example: Baud Rate, Function Keys etc.

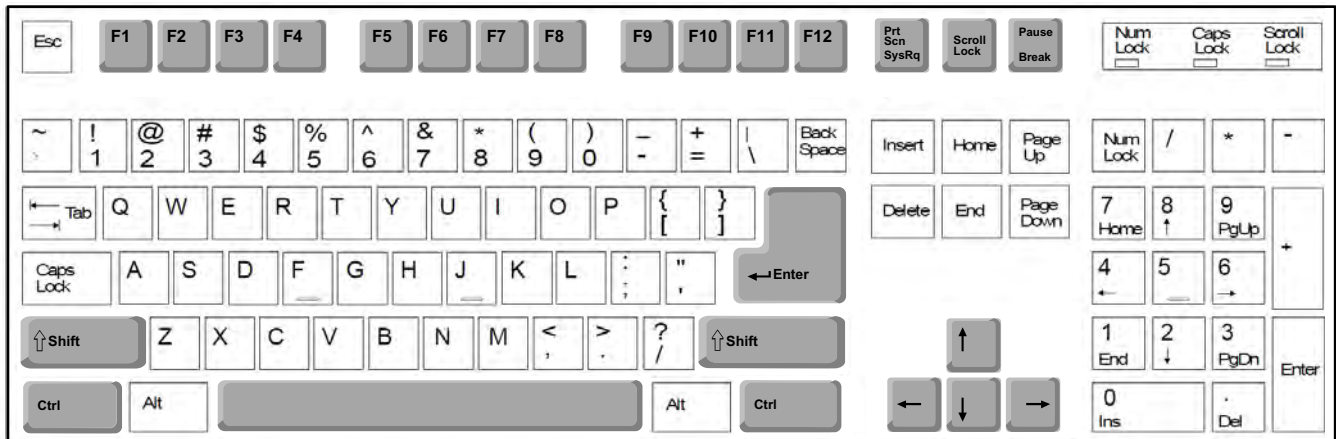
*The following pages show how to make adjustments to the terminal when required.*

# TT-SCAP Quick Guide

## TERMINAL SETUP

**FIGURE 3**

**FIGURE 4**



<b>ENTER SETUP SCREEN</b>	Press <b>Ctrl + Scroll Lock</b> +
<b>SELECT MENU</b>	Press <b>F1 - Prt Scn</b> <i>(see pg.8 for DMS Default Setup)</i> 
<b>NAVIGATE PARAMETERS</b>	Press the <b>Arrow Keys</b> 
<b>NAVIGATE CHOICES</b>	Press <b>Enter</b> or <b>Spacebar</b> (moves forward) 
	Press <b>Shift + Enter</b> (moves backward) 
<b>EXIT SETUP SCREEN</b>	Press the <b>Pause/Break Key</b> (when prompted to "Save all", press <b>Y</b> key to <b>Save</b> or <b>N</b> key to <b>discard</b> ) 

# TT-SCAP Quick Guide

## CHANGING THE SERIAL PORT SETTINGS

FIGURE 5

F1 Quick	F2 Genrl	F3 Displ	F4 Kybd	F5 Keys	F6 Ports	F7 Host	F8 Print	F9 Emul	F10 Tabs	F11 AnsBk	F12 Prog	PrtSc Exec	
Emulation=VT-100				Parameters				Save all? (Y/N)					
Comm Mode=Full Duplex				SER1 Baud Rate = 9600				SER1 Data Format=8/1/N					
Host/Printer=SER1/Para				Enhanced=On				Language=U.S.					
Choices													
300			600		1200		2400		4800		9600		19200
Select													
↑→↓← : Parameter				Enter/S-Enter : Next/Prev Choice				Exit : Pause Key					

1. Press the **F1** button
2. Use the **Arrow Keys** to move to **SER1 Baud Rate (SER1 = Serial Port 1)**
3. Press **Enter** or **Spacebar** until the correct **Choice** is highlighted (9600 for DMS)
4. Use the **Arrow Keys** to move over to **SER1 Data Format**
5. Press **Enter** or **Spacebar** until the correct **Choice** is highlighted (8/1/N for DMS)
6. When finished, press the **Pause Key** at the top right of the keyboard
7. When prompted with "**Save all?**", click **Y** to save the new **Parameters**

# TT-SCAP Quick Guide

## PROGRAMMING FUNCTION KEYS\*

\*Each function key has (4) programmable registers per session such as **F/key**, **sh-F/key**, **ctrl-F/key** & **ctrl-sh-F/key** (These can be selected from the "Choices" located in the **"Program"** Parameter)

**FIGURE 6**

DO NOT LEAVE A SPACE HERE

^[[ [17~  
 = ESC

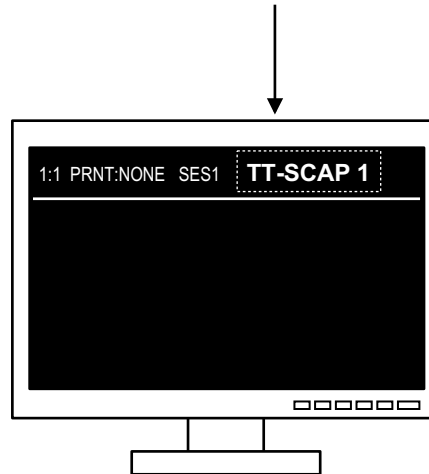
Note:  
 For ^ press Shift+6

1. Press the **F12** button
  2. The cursor will appear in the "Key" Field with F1 as the default
  3. Select a new function key to program by pressing **Enter** or **Spacebar** until the correct **Choice** is highlighted (for example choose F6)
  4. Arrow down to move to the "Text" Field
  5. Type in the "Function" for the key. CAUTION: The first character in the Text Field cannot be left blank
- Example:** To program **ESC[17~**    Type: Shift+6 [[17 Shift+`    = (^[[17~)
6. To program another function, arrow back up to the "Key" Field & repeat steps 3-5
  7. When finished, press the **Pause Key** at the top right of the keyboard
  8. When prompted with "Save all?", click **Y** to save the new **Parameter**

## TT-SCAP Quick Guide

### CHANGING THE SCREEN TITLE

**Note:** This will change the title at the top of the Session.



DISPLAY ON MONITOR

**FIGURE 7**

F1 Quick	F2 Genrl	F3 Displ	F4 Kybd	F5 Keys	F6 Ports	F7 Host	F8 Print	F9 Emul	F10 Tabs	<b>F11</b> AnsBk	F12 Prog	PrtSc Exec	
Parameters											Save all? (Y/N)		
Answerback Mode=Off			Answerback Conceal										
Answerback Message: <input type="text"/>													
Screen Title: <input type="text" value="TT-SCAP 1_"/>													
Choices													
<Backspace> : Delete Character    <Shift><Backspace> : Default Field													
Select													
↑→↓← : Parameter			Enter/S-Enter : Next/Prev Choice						Exit : Pause Key				

1. Press the **F11** button
2. Use the **Arrow Keys** to move the cursor down to **Screen Title**
3. Type in a Title for the Session (Example: TT-SCAP 1)
4. When finished, press the **Pause Key** at the top right of the keyboard
5. When prompted with "**Save all?**", click **Y** to save the new **Parameters**



## TT-SCAP Quick Guide

### DMS DEFAULT SETUP

**Note:** Items in **Bold** may require Local Settings.

**FIGURE 8**

Menu	Key	Parameters Available (Not all will display for a given emulation, keyboard, or video mode)		
Quick	<b>F1</b>	Emulation = VT-100 Comm Mode = Full Duplex Host/Printer = SER1/Para	<b>SER1 Baud Rate = 9600</b> Enhanced = On	<b>SER1 Data Format = 8/1/N</b> Language = U.S.
General	<b>F2</b>	Emulation = VT-100 Screen Saver = 5-min Warning Bell = On Host/Printer = SER1/Para	Enhanced = On Auto Page = Off Bell Length = 350 ms	Auto Wrap = Off Auto Scroll = On Bell Volume = 5
Display	<b>F3</b>	Page Length = 24 Display Cursor = On Columns = 80	Screen Length = 26 Lines Cursor = Blink Block Erase Color = Black	Screen video = Normal Auto Adjust Cursor = On Scroll Speed = Full
Keyboard	<b>F4</b>	Language = U.S. Key Click = On Num Lock = Toggle	Char Set Mode = ANSI Key Repeat = On Key Lock = Reverse	Margin Bell = Off Key Rate = 20 cps Caps Lock = Toggle
Keys	<b>F5</b>	Enter Key = <CR> Alt Key = Compose UDKS = Emul Dependent	Return Key = <CR> Disconnect = Pause	Backspace = <BS>/<DEL> Return Key Repeat = Off
Ports	<b>F6</b>	SER1 Baud Rate = 9600 SER1 Xmt = Xon-Xoff SER1 Break = 250 ms	SER1 Data Format = 8/1/N SER1 Recv = Xon-Xoff(XPC) SER1 Modem Control = Off	SER1 Parity Check = Off SER1 Xmt Pace = Baud SER1 Disconnect = 2 sec
Host	<b>F7</b>	Comm Mode = Full Duplex Recv <DEL> = Ignore Send Region = Screen	Local = Off Null Suppress = On Send End = Region	Recv <CR> = <CR> Send Block Term = None
Print	<b>F8</b>	Prnt Mode = Normal	Prnt Region = Screen	Prnt Block = None
Emulation	<b>F9</b>	Numeric Kpd = Numeric ANSI-ID = VT320 Status Line = Indicator	Cursor Kpd = Cursor Feature Lock = Off	Send Data = All Function Key Lock = Off
Tabs	<b>F10</b>	Auto Init Tabs = Off	Default Tabs	
Answerback	<b>F11</b>	Answerback Mode = Off	Answerback Conceal	
Program	<b>F12</b>	Key = F1	Program = F/Key	Key Dir = Comm Dependent
Execute	<b>Prt Sc</b>	Save Terminal Reset Terminal Clear Screen	Recall Terminal Default Session UDKS Terminal Version	Default Terminal Reset Ports Update Terminal
Exit Setup	<b>Pause</b>	Save all? (Y/N)		

# TT-SCAP Quick Guide

## NOTES & TIPS

**DMS CURRENT LOOP INSTALLATION NOTES ..... Pgs. 10 - 14**

**NOTES & TIPS**

**DMS CURRENT LOOP INSTALLATION NOTES**

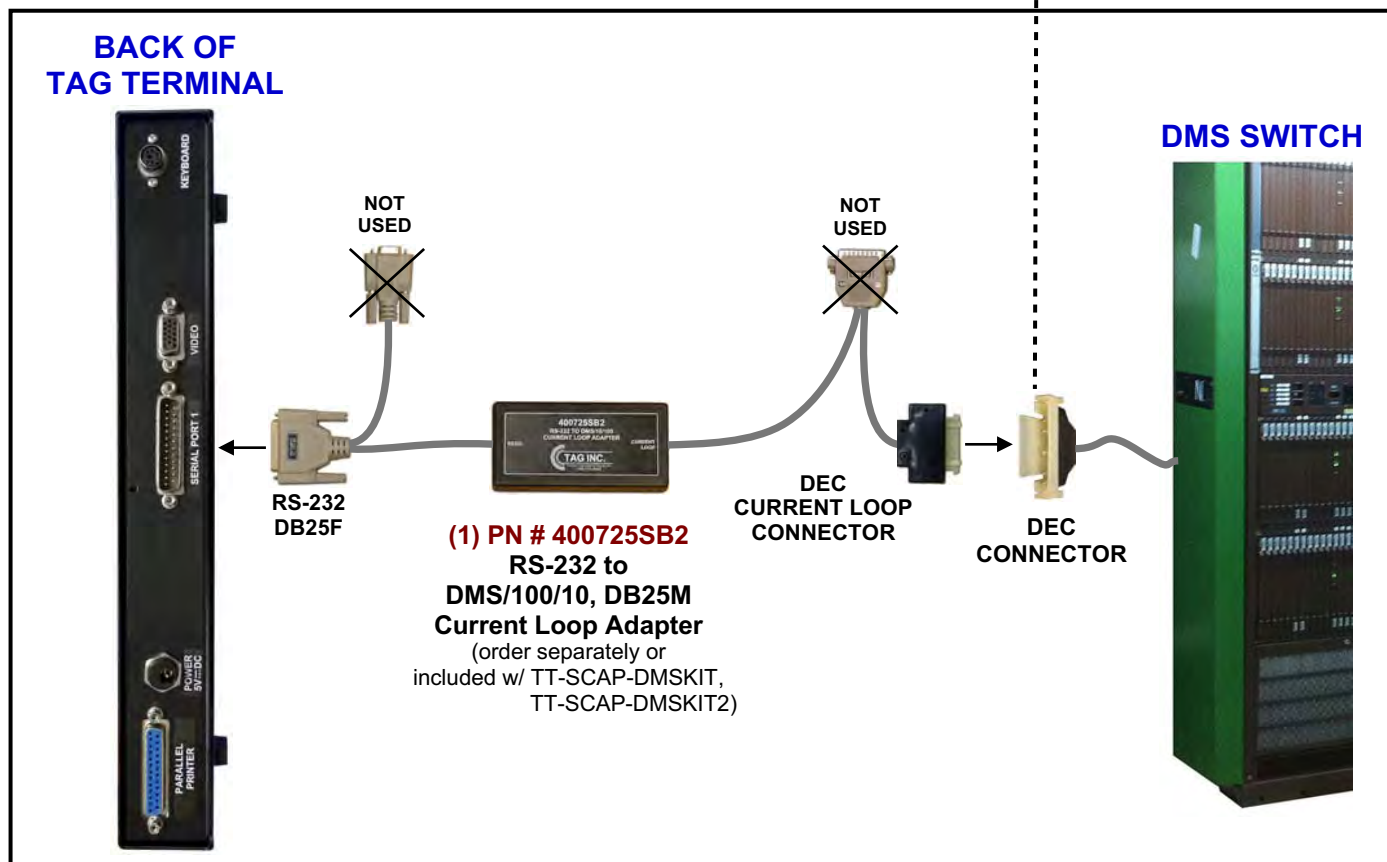
**IF YOU HAVE:**

**FLAT DEC CONNECTOR FROM THE SWITCH**

- USE 400725SB2 CURRENT LOOP ADAPTER



**FIGURE 9**



150 Cooper Rd. (F-15)  
 W. Berlin, NJ 08091

[www.tagcords.com](http://www.tagcords.com)  
**Telecom Assistance Group**

Telephone: (856) 753-8585  
 Fax : (856) 768-7645

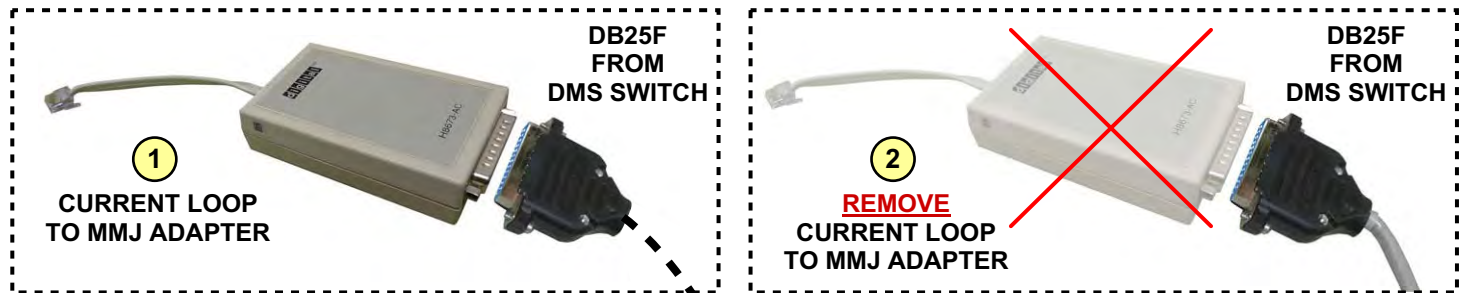
# NOTES & TIPS

# DMS CURRENT LOOP INSTALLATION NOTES

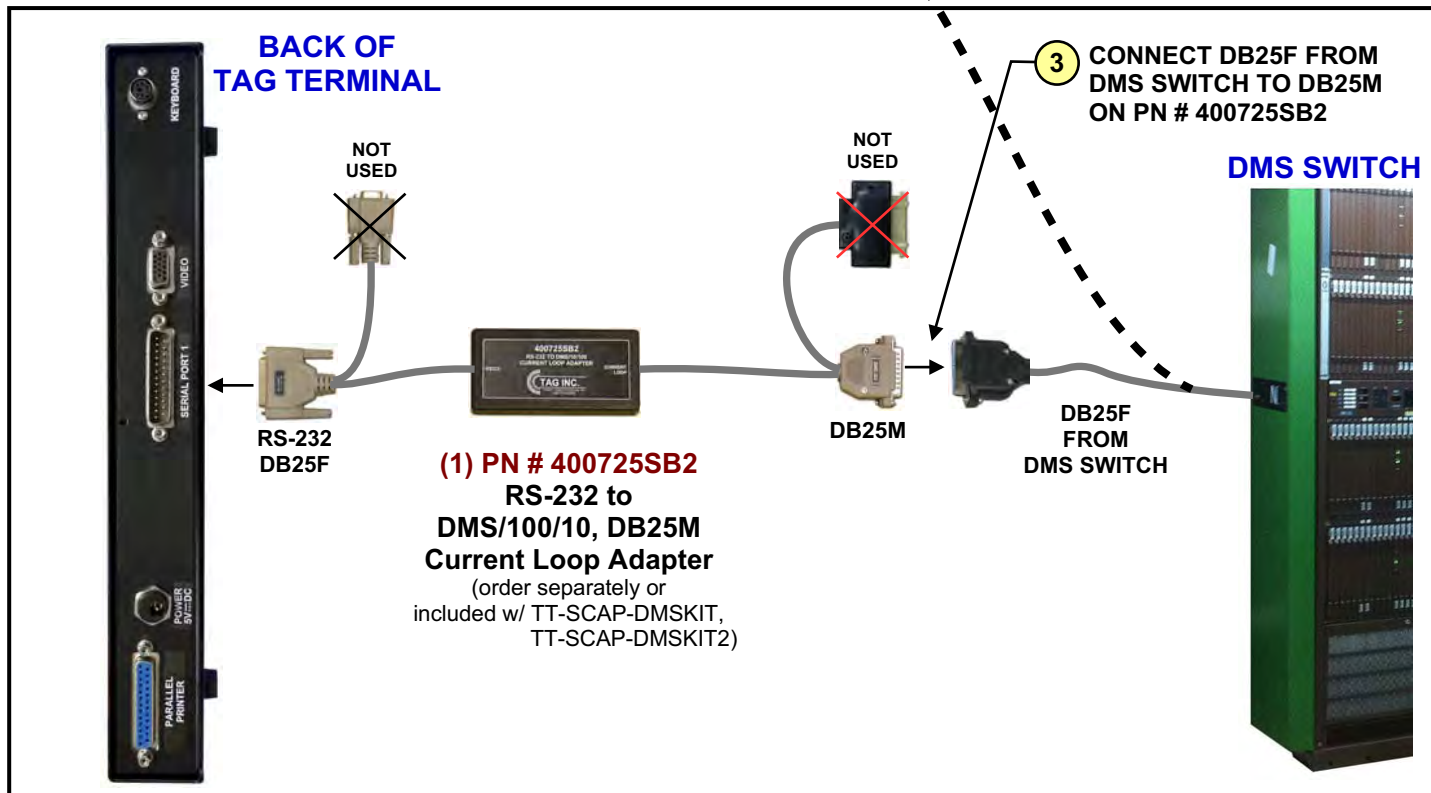
### IF YOU HAVE:

**A CURRENT LOOP TO MMJ ADAPTER FROM THE SWITCH**

- USE THE 400725SB2 CURRENT LOOP ADAPTER



**FIGURE 10**



150 Cooper Rd. (F-15)  
W. Berlin, NJ 08091

www.tagcords.com  
**Telecom Assistance Group**

Telephone: (856) 753-8585  
Fax : (856) 768-7645

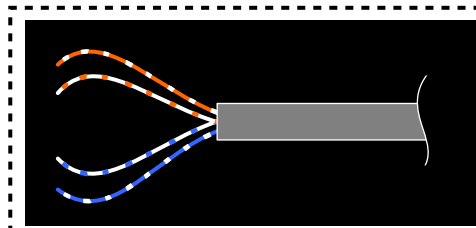
# NOTES & TIPS

# DMS CURRENT LOOP INSTALLATION NOTES

### IF YOU HAVE:

**BARE WIRE FROM THE SWITCH  
OR A BROKEN CONNECTOR**

- USE THE 400725SB2 CURRENT LOOP ADAPTER
- w/ THE 400725SBW HARDWIRE ADAPTER

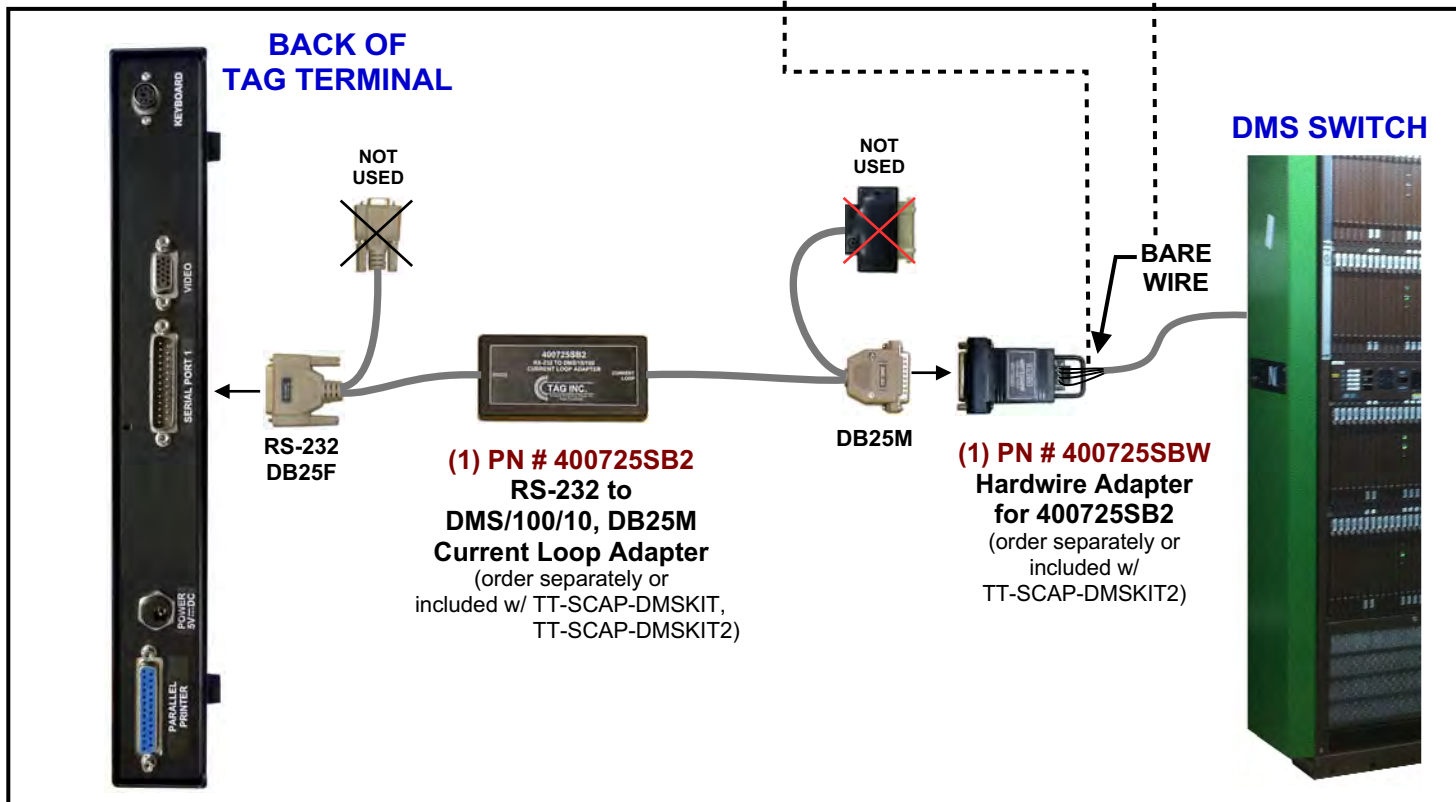


### WIRING DETAIL\*:



\* Most common - Colors may vary  
If colors are different, - DO NOT SEPERATE PAIRED WIRES

**FIGURE 11**



## NOTES & TIPS

## DMS CURRENT LOOP INSTALLATION NOTES

### CURRENT LOOP PAIR DETERMINATION:

- 1 SET VOLT-OHM METER TO DCV SETTING  
(WITH THE WIRES DISCONNECTED)
- 2 CONNECT THE (+) RED PROBE TO THE ORANGE / WHITE WIRE & THE (-) BLACK PROBE TO THE WHITE / ORANGE WIRE
- 3 COMPARE THE READINGS & POLARITIES (AS SHOWN BELOW)  
(VOLTAGES SHOWN ARE APPROXIMATE & ACTUAL VALUES MAY BE DIFFERENT)
- 4 REPEAT STEPS 2 & 3 FOR THE WHITE / BLUE PAIR
- 5 NOTE: RECEIVE PAIR VOLTAGE IS SLIGHTLY LOWER THAN TRANSMIT PAIR VOLTAGE
- 6 ATTACH THE WIRES TO PN # 400725SBW ACCORDING TO THE POLARITY FOUND IN THE WIRING DETAIL

- TRANSMIT (+) TO T+
- TRANSMIT (-) TO T-
- RECEIVE (+) TO R+
- RECEIVE (-) TO R-

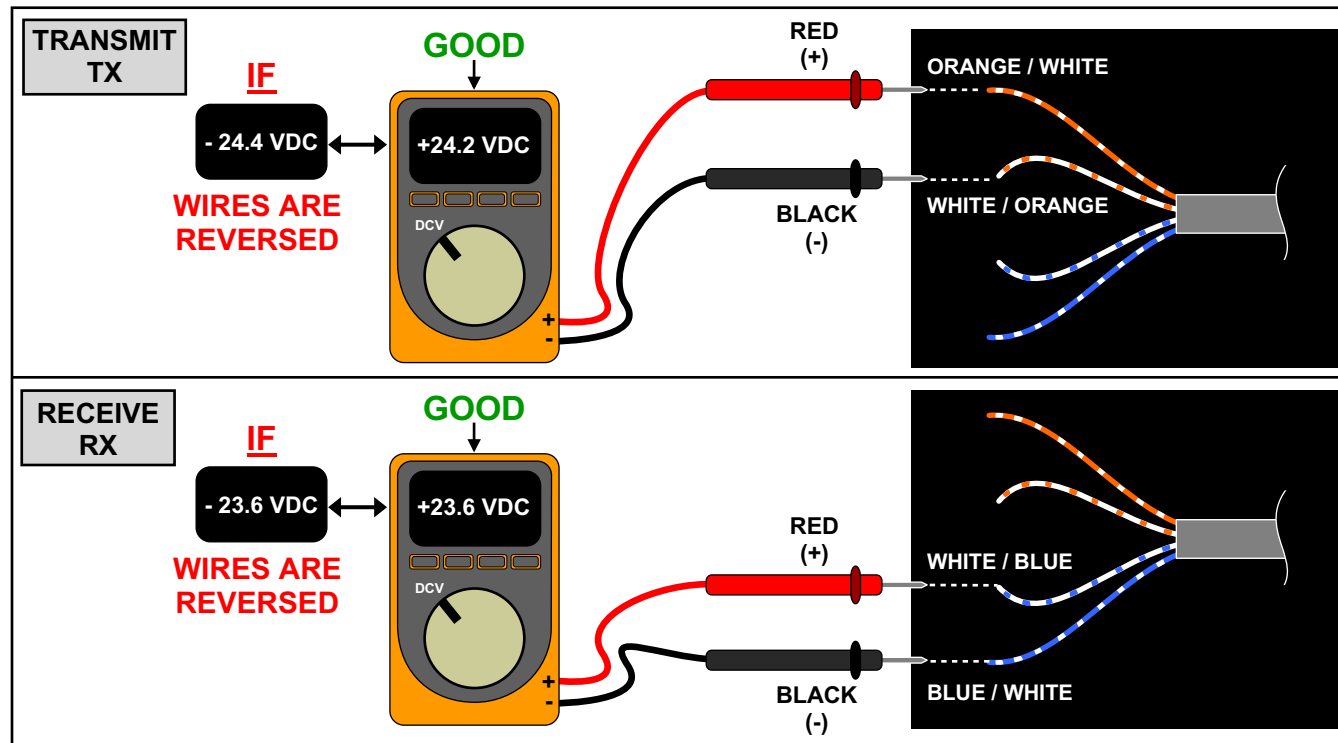
### WIRING DETAIL\*:



\* Most common - Colors may vary

If colors are different, - DO NOT SEPERATE PAIRED WIRES

FIGURE 12



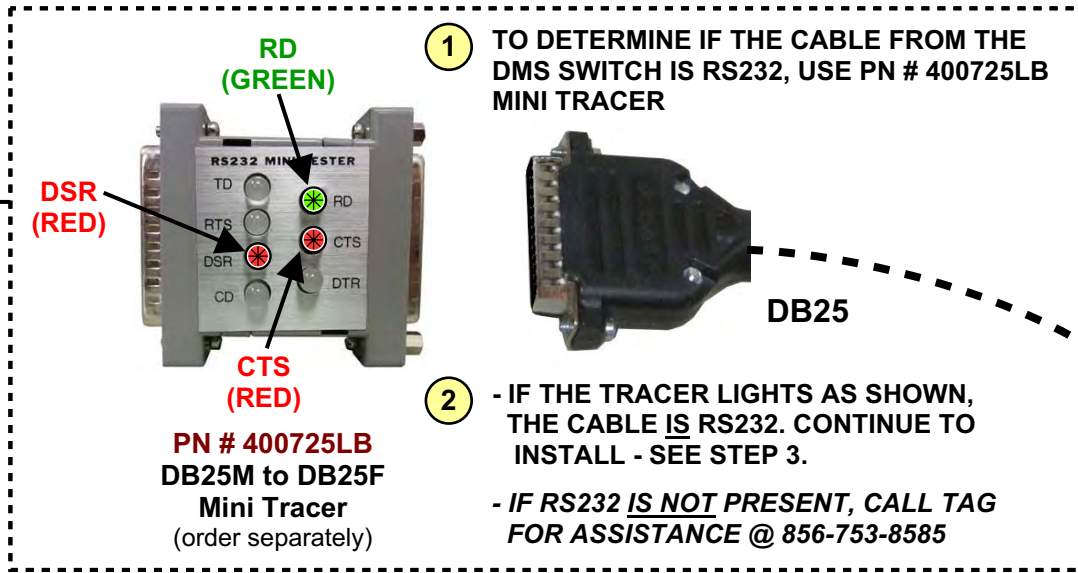
# NOTES & TIPS

# DMS CURRENT LOOP INSTALLATION NOTES

### IF YOU HAVE:

**AN EXISTING TERMINAL  
w/ DB25 CONNECTOR**

- USE THE 400725LB



**1** TO DETERMINE IF THE CABLE FROM THE DMS SWITCH IS RS232, USE PN # 400725LB MINI TRACER

**2** - IF THE TRACER LIGHTS AS SHOWN, THE CABLE IS RS232. CONTINUE TO INSTALL - SEE STEP 3.  
- IF RS232 IS NOT PRESENT, CALL TAG FOR ASSISTANCE @ 856-753-8585

**FIGURE 13**

**BACK OF TAG TERMINAL**



**DB25 (RS-232)  
FROM DMS SWITCH**

**(1) PN # 400700  
DB25F Gender Changer  
(INCLUDED - IF NEEDED)**

**3** IF RS232 IS PRESENT, CONNECT THE DB25 TO THE BACK OF THE TERMINAL.  
IF NECESSARY, USE THE SUPPLIED GENDER CHANGER (PN # 400700).

**DMS SWITCH**

