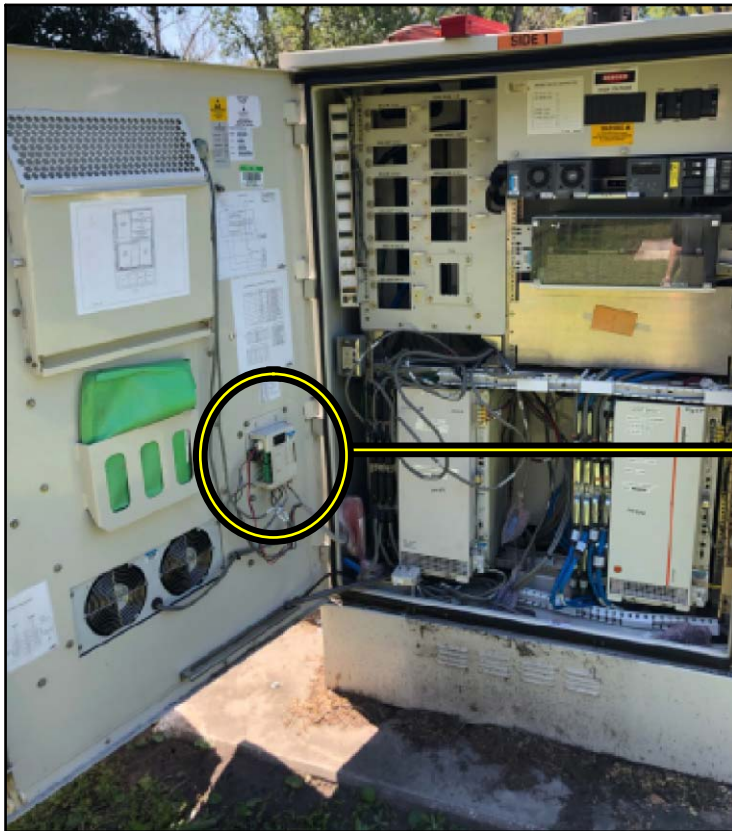


4 Port Environmental Control Unit (ECU) - User Guide

TFC-MESA-04



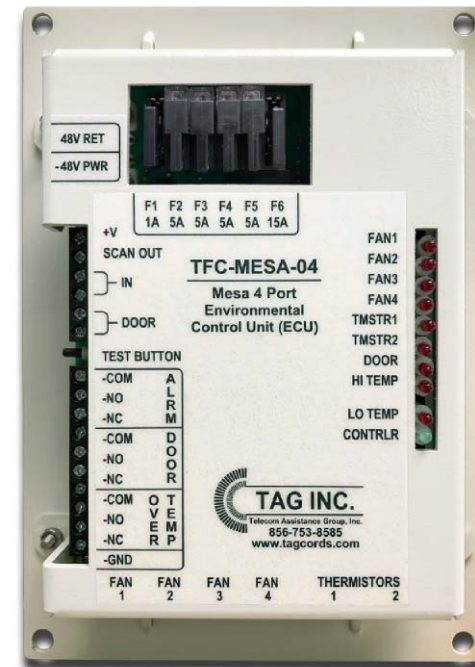
INSIDE VIEW OF MESA 384 CABINET
(EXISTING ECU IS MOUNTED ON THE CABINET DOOR)

*used in Mesa 2
DSLAM 192 & 384
Type Cabinets*

"4 Port Mesa ECU"

PN # TFC-MESA-04

4 Port Environmental Control Unit (ECU) Replacement



Ordering Information:

TFC-MESA-04

4 Port Environmental Control Unit (ECU) Replacement
(used in Mesa 2 - DSLAM 192 & DSLAM 384 Type Cabinets)

Call for Pricing

150 Cooper Rd. (F-15)
W. Berlin, NJ 08091

www.tagcords.com

Telecom Assistance Group

Telephone: (856) 753-8585

Fax : (856) 768-7645

4 Port Environmental Control Unit (ECU) - User Guide

TFC-MESA-04

INPUT ALARMS AND SCAN POINT:

WARNING - SCAN OUT IS CONNECTED TO -48V

SCAN OUT (AUDIBLE BUZZER)

NORMALLY OPEN
 CLOSSES TO -48V IF DOOR OPENS
 (OPENS WHEN OVERRIDE IS PRESSED)

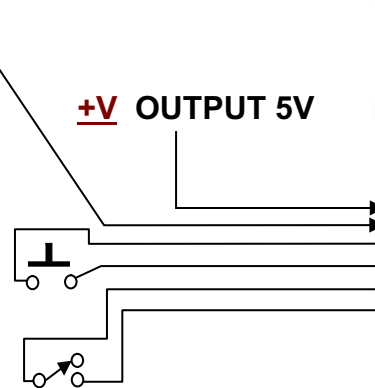
IN

OVERRIDE SWITCH - NORMALLY OPEN
 SWITCH CLOSED(MOMENTARY)= OVERRIDE

DOOR

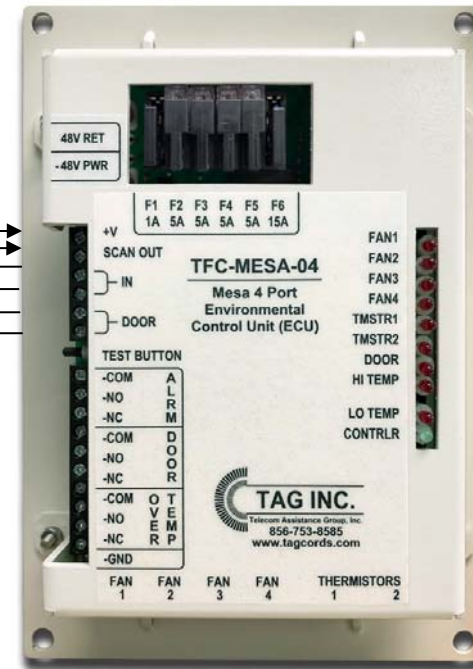
DOOR ALARM
 SWITCH CLOSED = DOOR OPEN

+V OUTPUT 5V



NOTES:

WHEN INSTALLING THE TFC-MESA-04; THE WIRING IS PIN FOR PIN.
**** DO NOT REUSE EXTERNAL PROTECTION BOARD ****
 THE TFC-MESA-04 HAS BUILT IN PROTECTION.



NOTES:

1. FANS RUN AT SLOW SPEED IF DOOR IS OPEN UNLESS OVERRIDE SWITCH IS ENGAGED.
2. SCAN OUT OPERATES THE BUZZER.
 - BUZZER WILL SOUND IF DOOR ALARM IS TRIGGERED.
 - OVERRIDE BUTTON WILL DISABLE AUDIBLE BUZZER AND DOOR ALARM CONTACT FOR 20 MIN.
3. BUZZER WILL SOUND INTERMITTENTLY FOR 30 SECONDS WHEN DOOR IS CLOSED.

4 Port Environmental Control Unit (ECU) - User Guide

TFC-MESA-04



ALARM CONTACTS & OUTPUTS:

TEST BUTTON

- 1ST PUSH - FANS SLOW SPEED
- 2ND PUSH - FANS MEDIUM SPEED
- 3RD PUSH - FANS HIGH SPEED
- 4TH PUSH - BACK TO OPERATION

(5 MINUTE TIMEOUT)

ALRM - ANY FAN OR THERMISTOR IN ALARM

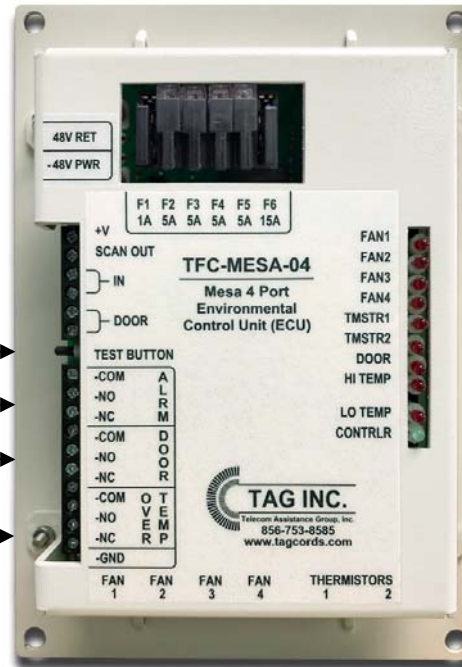
- COM-NO = OPEN ON ALARM
- COM-NC = CLOSED ON ALARM

DOOR - INTRUSION ALARM

- COM-NO = OPEN ON ALARM
- COM-NC = CLOSED ON ALARM

OVER TEMP - ALARM

- COM-NO = OPEN ON ALARM
- COM-NC = CLOSED ON ALARM



FAN 1 - 4

LIGHT ON IF CORRESPONDING FAN IS IN ALARM

TMSTR 1 - 2

LIGHT ON IF THERMISTOR IS DEFECTIVE

DOOR

LIGHT ON IF DOOR IS OPEN

HIGH TEMP

LIGHT ON IF TEMP OVER 60°C

LO TEMP

LIGHT IS NOT USED ALWAYS OFF

CONTRLR

LIGHT ON IF CONTROLLER IS FUNCTIONING PROPERLY

ALRM, DOOR AND OVER TEMP CONTACT ARE ISOLATED RELAYS

150 Cooper Rd. (F-15)
W. Berlin, NJ 08091

www.tagcords.com

Telecom Assistance Group

Telephone: (856) 753-8585

Fax : (856) 768-7645