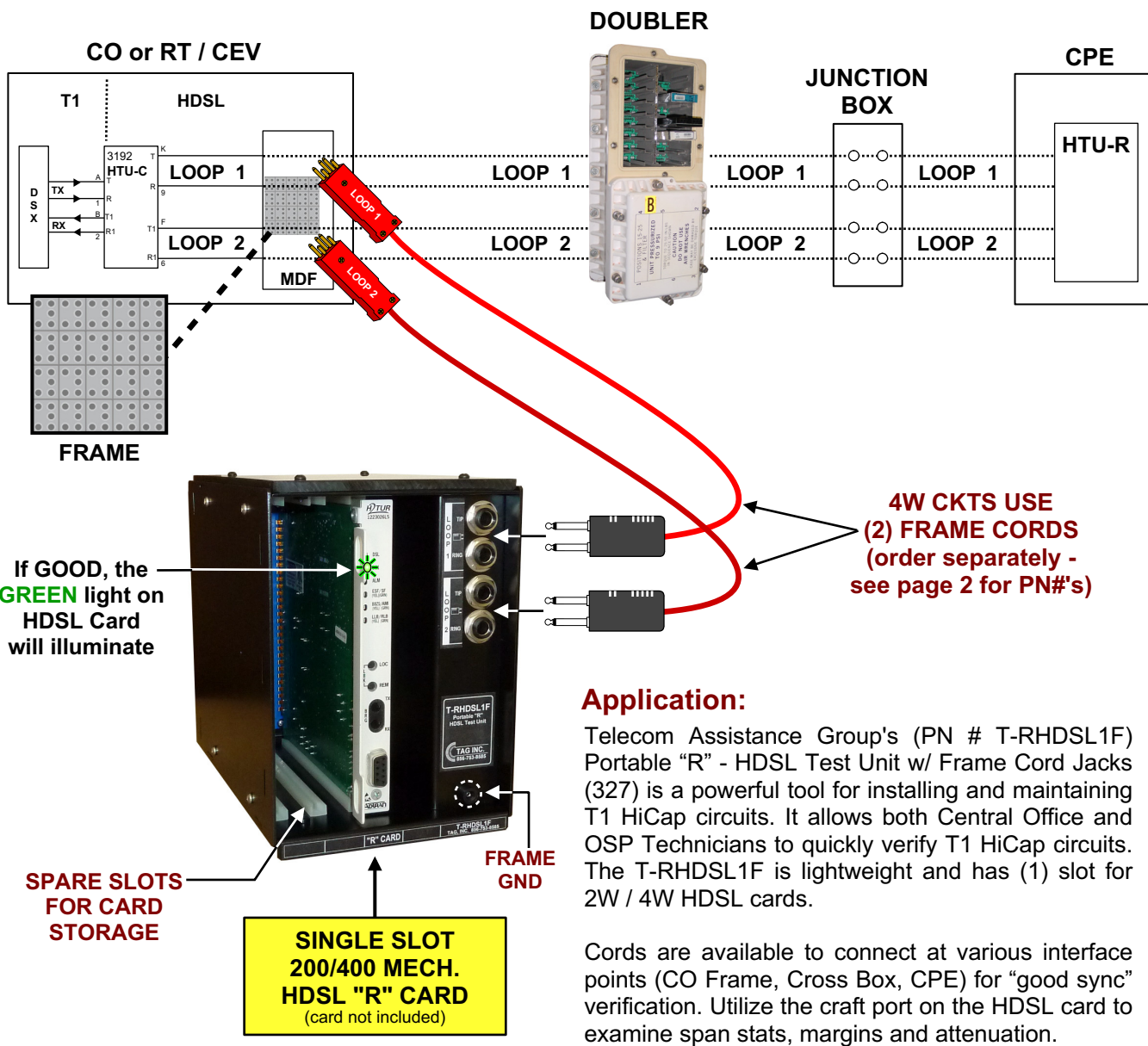


Portable "R" - HDSL Test Unit w/ Frame Cord Jacks

T-RHDSL1F



Application:

Telecom Assistance Group's (PN # T-RHDSL1F) Portable "R" - HDSL Test Unit w/ Frame Cord Jacks (327) is a powerful tool for installing and maintaining T1 HiCap circuits. It allows both Central Office and OSP Technicians to quickly verify T1 HiCap circuits. The T-RHDSL1F is lightweight and has (1) slot for 2W / 4W HDSL cards.

Cords are available to connect at various interface points (CO Frame, Cross Box, CPE) for "good sync" verification. Utilize the craft port on the HDSL card to examine span stats, margins and attenuation.

Ordering Information:

T-RHDSL1F	Portable "R" - HDSL Test Unit w/ Frame Cord Jacks <i>(requires test cords)</i>	Call for Pricing
T-W4BR-16	Dual Plug (327) to 463A, (16')	
600509	Carrying Case <i>(not shown)</i>	

**** Cords are Required for Testing - See Page 2 ****

150 Cooper Rd. (F-15)
W. Berlin, NJ 08091

www.tagcords.com

Telephone: (856) 753-8585

Fax : (856) 768-7645

Telecom Assistance Group

Portable "R" - 2W / 4W* Frame Cords

*4W CKTS USE (2) FRAME CORDS

All Cords are available in other lengths

PN # T-W4BR-16
Dual Plug (327) to 463A, (16')



PN # T-W4BR-P
Dual Plug (327) to Porta, (16')



PN # T-4W6A-16
Dual Plug (327) to 252A/B, (16')



PN # T-4W11A-16
Dual Plug (327) to 412A/B, (16')



PN # 400327WP-16
Dual Plug (327) to Wire Wraps, (16')



PN # 400327A-16
Dual Plug (327) to Alligator Clips, (16')



PN # 400327A6P-16
Dual Plug (327) to 6P Alligator Clips, (16')



150 Cooper Rd. (F-15)
W. Berlin, NJ 08091

www.tagcords.com

Telephone: (856) 753-8585
Fax : (856) 768-7645

Telecom Assistance Group